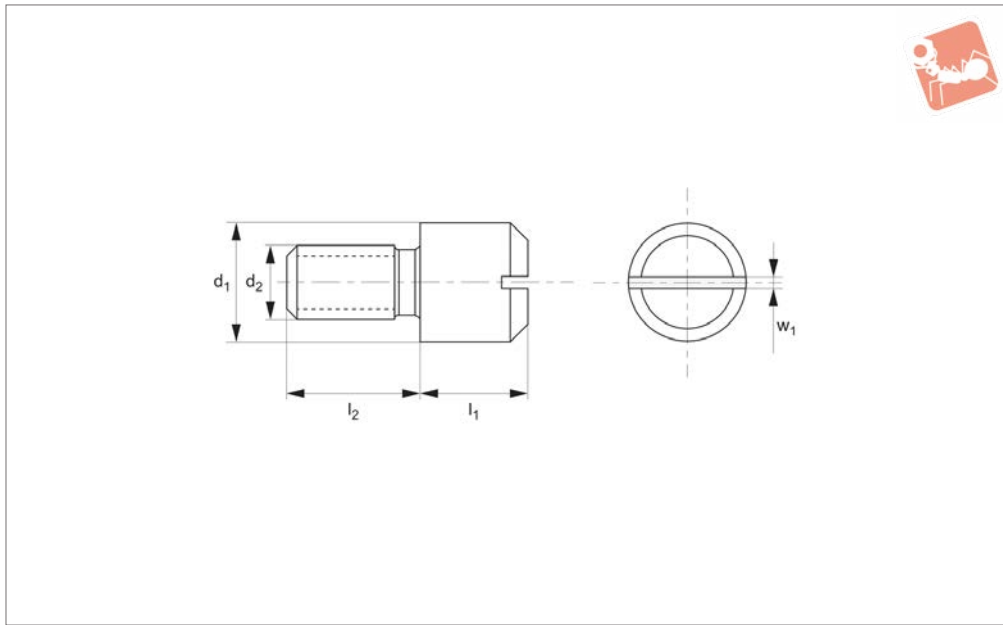


# Shoulder Screws - Headless

slot drive - 303 stainless

# Shoulder Screws



**36670.A2**

SHOULDER SCREWS

### Material

Austenitic stainless steel  
(AISI 303, 1.4305)

### Technical Notes

303 series stainless steel provides good resistance to corrosion. It is mildly magnetic.

Special lengths and diameters produced to drawings.

$l_1+l_2$  tolerance js15.

Order No.	$d_1$ h9	$l_1$	$d_2$	$l_2$ +0.3/-0.0	$w_1$
36670.W4025-A2	4.0	2.5	M 3	4.5	0.5
36670.W4030-A2	4.0	3.0	M 3	4.5	0.5
36670.W4040-A2	4.0	4.0	M 3	4.5	0.5
36670.W4050-A2	4.0	5.0	M 3	4.5	0.5
36670.W4060-A2	4.0	6.0	M 3	4.5	0.5
36670.W5530-A2	5.5	3.0	M 4	6.0	0.6
36670.W5540-A2	5.5	4.0	M 4	6.0	0.6
36670.W5550-A2	5.5	5.0	M 4	6.0	0.6
36670.W5560-A2	5.5	6.0	M 4	6.0	0.6
36670.W5580-A2	5.5	8.0	M 4	6.0	0.6
36670.W6540-A2	6.5	4.0	M 5	7.0	0.8
36670.W6550-A2	6.5	5.0	M 5	7.0	0.8
36670.W6560-A2	6.5	6.0	M 5	7.0	0.8
36670.W6580-A2	6.5	8.0	M 5	7.0	0.8
36670.W6500-A2	6.5	10.0	M 5	7.0	0.8
36670.W8040-A2	8.0	4.0	M 6	8.0	1.0
36670.W8050-A2	8.0	5.0	M 6	8.0	1.0
36670.W8060-A2	8.0	6.0	M 6	8.0	1.0
36670.W8080-A2	8.0	8.0	M 6	8.0	1.0
36670.W8000-A2	8.0	10.0	M 6	8.0	1.0