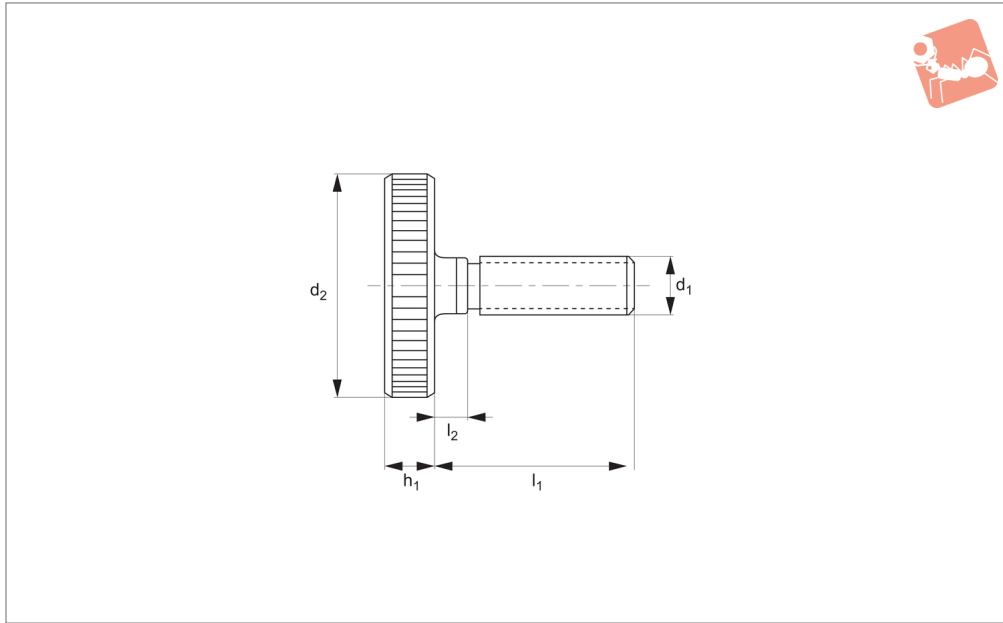




Flat Knurled Thumb Screws

Flat Knurled A2 & A4 stainless

Thumb Screws



37040

THUMB SCREWS

Material

Stainless steel (A2 AISI 303 or A4 AISI 316).

Technical Notes

To DIN 653. Stainless steel 303 series is a

hard stainless steel which may (in harsh conditions) exhibit slight signs of rusting. Typically used in food and pharmaceutical applications. 303 stainless steel provides good resistance to corrosion, it is soft and

mildly magnetic.

316 stainless provides excellent corrosion resistance for use in highly caustic or marine environments and its non-magnetic.

Order No.	d ₁	l ₁	d ₂	h ₁	l ₂	Material	Weight g
37040.W0075	M3	8	12	2.5	2	A2 s/s	6.1
37040.W0076	M3	10	12	2.5	2	A2 s/s	6.1
37040.W0077	M3	12	12	2.5	2	A2 s/s	6.1
37040.W0078	M3	16	12	2.5	2	A2 s/s	6.1
37040.W0079	M3	20	12	2.5	2	A2 s/s	6.1
37040.W0092	M4	8	16	3.5	3	A2 s/s	6.1
37040.W0093	M4	10	16	3.5	3	A2 s/s	6.2
37040.W0094	M4	12	16	3.5	3	A2 s/s	6.4
37040.W0096	M4	16	16	3.5	3	A2 s/s	6.7
37040.W0097	M4	20	16	3.5	3	A2 s/s	6.7
37040.W0098	M4	25	16	3.5	3	A2 s/s	6.7
37040.W0099	M4	30	16	3.5	3	A2 s/s	6.7
37040.W0111	M5	8	20	4.0	3	A2 s/s	11.0
37040.W0112	M5	10	20	4.0	3	A2 s/s	11.0
37040.W0113	M5	12	20	4.0	3	A2 s/s	11.3
37040.W0115	M5	16	20	4.0	3	A2 s/s	11.7
37040.W0117	M5	20	20	4.0	3	A2 s/s	12.0
37040.W0118	M5	25	20	4.0	3	A2 s/s	12.0
37040.W0119	M5	30	20	4.0	3	A2 s/s	12.0
37040.W0131	M6	10	24	5.0	4	A2 s/s	20.0
37040.W0132	M6	12	24	5.0	4	A2 s/s	20.0
37040.W0134	M6	16	24	5.0	4	A2 s/s	20.4
37040.W0136	M6	20	24	5.0	4	A2 s/s	21.0
37040.W0138	M6	25	24	5.0	4	A2 s/s	22.0
37040.W0139	M6	30	24	5.0	4	A2 s/s	22.0
37040.W0152	M8	16	30	6.0	5	A2 s/s	36.0
37040.W0153	M8	16	30	6.0	5	A2 s/s	40.0
37040.W0154	M8	20	30	6.0	5	A2 s/s	40.0
37040.W0156	M8	25	30	6.0	5	A2 s/s	42.0
37040.W0158	M8	30	30	6.0	5	A2 s/s	43.0
37040.W0172	M10	20	36	8.0	4	A2 s/s	71.0
37040.W0174	M10	25	36	8.0	2	A2 s/s	72.0



Order No.	d ₁	l ₁	d ₂	h ₁	l ₂	Material	Weight g
37040.W0176	M10	30	36	8.0	-	A2 s/s	76.0
37040.W0180	M10	40	36	8.0	4	A2 s/s	80.0
37040.W0200	M3	8	12	2.5	2	A4 s/s	6.1
37040.W0201	M3	10	12	2.5	2	A4 s/s	6.1
37040.W0202	M3	12	12	2.5	2	A4 s/s	6.1
37040.W0203	M3	16	12	2.5	2	A4 s/s	6.1
37040.W0204	M3	20	12	2.5	2	A4 s/s	6.1
37040.W0220	M4	8	16	3.5	3	A4 s/s	6.1
37040.W0221	M4	10	16	3.5	3	A4 s/s	6.2
37040.W0222	M4	12	16	3.5	3	A4 s/s	6.4
37040.W0223	M4	16	16	3.5	3	A4 s/s	6.7
37040.W0224	M4	20	16	3.5	3	A4 s/s	6.7
37040.W0225	M4	25	16	3.5	3	A4 s/s	6.7
37040.W0226	M4	30	16	3.5	3	A4 s/s	6.7
37040.W0260	M5	8	20	4.0	3	A4 s/s	11.0
37040.W0261	M5	10	20	4.0	3	A4 s/s	11.0
37040.W0262	M5	12	20	4.0	3	A4 s/s	11.3
37040.W0263	M5	16	20	4.0	3	A4 s/s	11.7
37040.W0264	M5	20	20	4.0	3	A4 s/s	12.0
37040.W0265	M5	25	20	4.0	3	A4 s/s	12.0
37040.W0266	M5	30	20	4.0	3	A4 s/s	12.0
37040.W0280	M6	10	24	5.0	4	A4 s/s	20.0
37040.W0281	M6	12	24	5.0	4	A4 s/s	20.0
37040.W0282	M6	16	24	5.0	4	A4 s/s	20.4
37040.W0283	M6	20	24	5.0	4	A4 s/s	21.0
37040.W0284	M6	25	24	5.0	4	A4 s/s	22.0
37040.W0285	M6	30	24	5.0	4	A4 s/s	22.0
37040.W0300	M8	12	30	6.0	5	A4 s/s	40.0
37040.W0301	M8	16	30	6.0	5	A4 s/s	40.0
37040.W0302	M8	20	30	6.0	5	A4 s/s	40.0
37040.W0303	M8	25	30	6.0	5	A4 s/s	42.0
37040.W0304	M8	30	30	6.0	5	A4 s/s	43.0