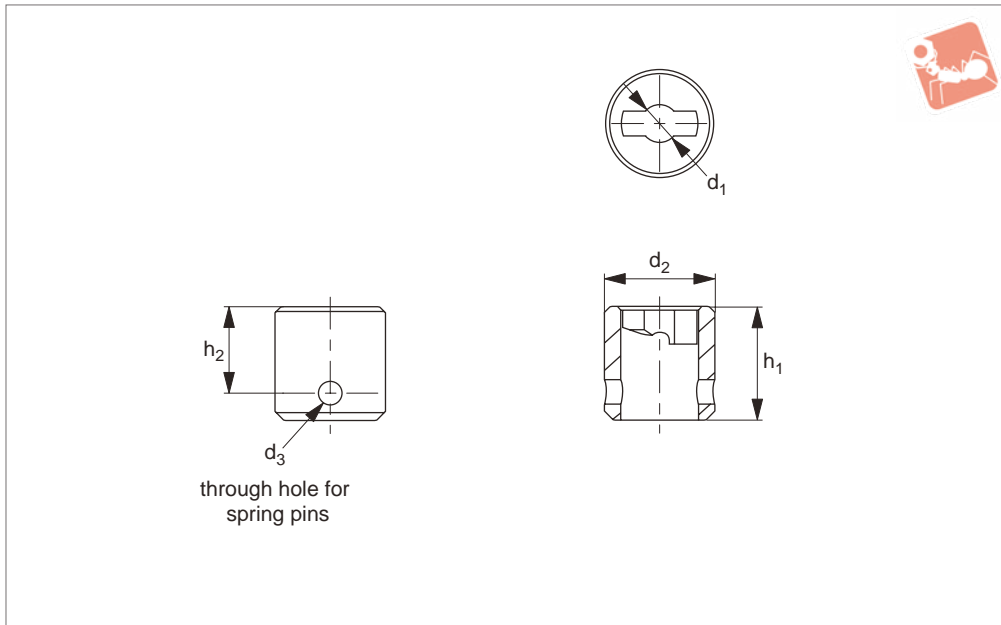
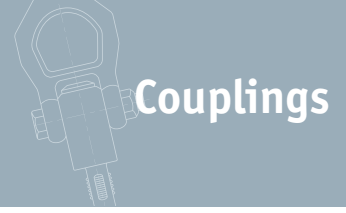




Receiver - Shaft Mount - Cam Locking

for Quick Plug Coupling no. 64775



64780

COUPLINGS

Material

Body: tempered steel SCM440, nickel plated.

such as the end of pneumatic or hydraulic cylinders.
Temperature resistant to 200° C

Technical Notes

Receiver for use with quick plug coupling, cam locking no. 64775. Shaft mount version suited to installation on shafts;

Important Notes

Suitable only for linear movement applications, does not transmit any torque.

Order No.	d_1 +0.08 +0.04	d_2 tol. h9	d_3	h_1	h_2	Weight g
64780.W0514	5	14	3	14.5	11	10