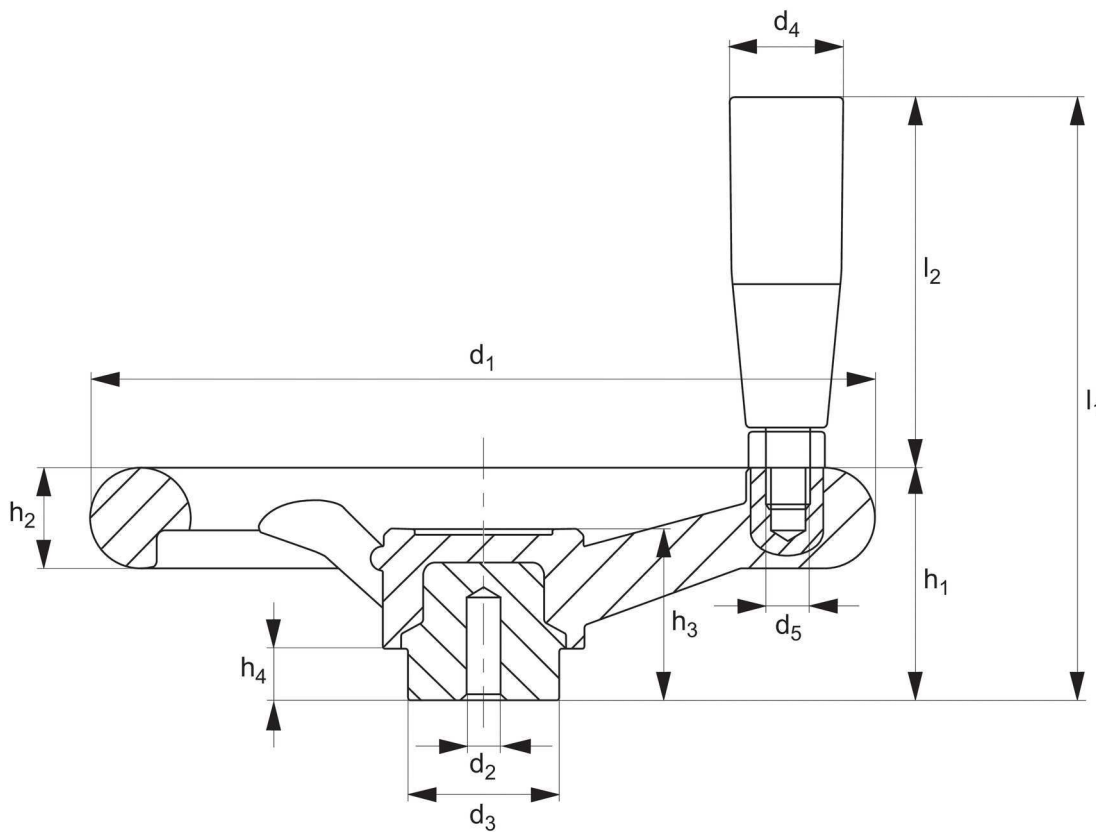


Three Spoked Handwheels

with rotating grip



77030



Material

Standard: Duroplast, black. Zinc plated steel hub. Revolving handle.

Reinforced: Duroplast with glass fibre beads for increased strength, black zinc plated steel auto-revolving handle.

Technical Notes

The pilot hole allows various sizes of holes, keyways etc. to be machined into the hub.

Corresponding rotating handle 75100.



Order No.	Type	d_1	d_2	d_3	l_1	l_2	h_1	h_2	h_3	h_4	d_4	d_5	g
77030.W0100	Standard	100	4	24	85	40	40	15	34	11	17	M 8	189
77030.W0125	Standard	125	6	24	107	55	46	17	37	13	23	M 8	300
77030.W0150	Standard	150	6	32	120	65	49	20	38	13	25	M10	470
77030.W0175	Standard	175	6	40	127	65	56	22	42	16	25	M10	695
77030.W0200	Standard	200	8	40	153	85	61	24	45	16	28	M10	880
77030.W0250	Standard	250	10	48	164	85	72	28	50	17	28	M10	1335
77030.W0300	Standard	300	10	58	170	85	78	34	56	18	28	M10	2165
77030.W0500	Reinforced	100	4	24	85	40	40	15	34	11	17	M 8	191
77030.W0525	Reinforced	125	6	24	107	55	46	17	37	13	23	M 8	309
77030.W0550	Reinforced	150	6	32	120	65	49	20	38	13	25	M10	484
77030.W0575	Reinforced	175	6	40	127	65	56	22	42	16	25	M10	694
77030.W0700	Reinforced	200	8	40	153	85	61	24	45	16	28	M10	897
77030.W0750	Reinforced	250	10	48	164	85	72	28	50	17	28	M10	1367
77030.W0800	Reinforced	300	10	58	170	85	78	34	56	18	28	M10	2130