

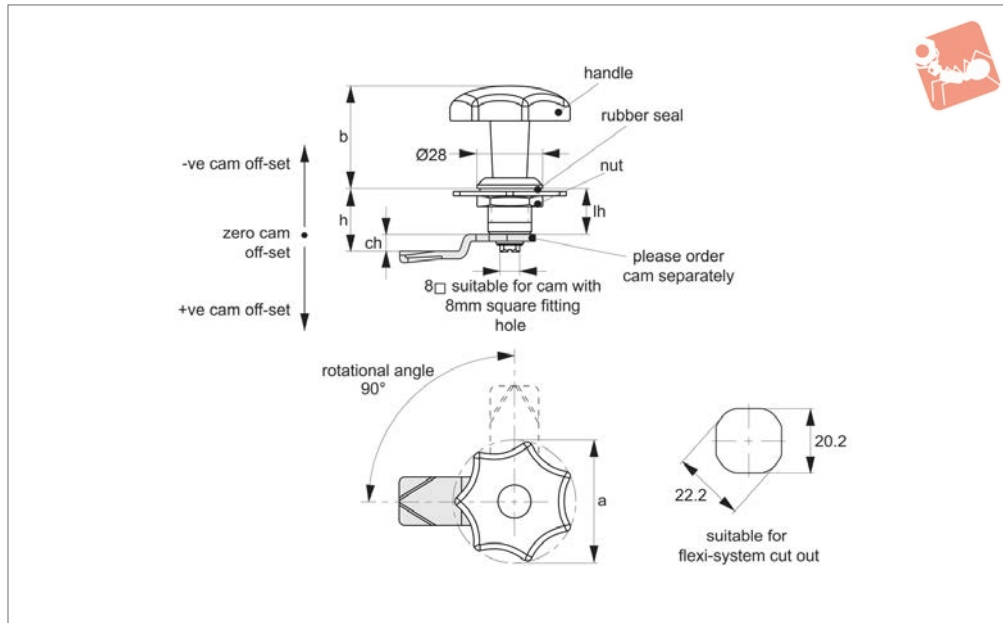


# Cam Latches - Flexi-System

grip handle – zinc and polyamide



## Cam Latches



## A1205

CAM LATCHES

### Material

Body: black powder coated zinc or polyamide.  
 Handle: polyamide, black.  
 Fitted with sealing gasket to achieve IP54 rating.  
 Sealing washer: rubber.  
**Not supplied:** CAM nor KEY - order separately.

### Technical Notes

Order cam and key separately.  
**Cams:** see suitable cam A0203 (steel), A0210 (stainless). Select „without projection“ cam type.  
 Dimensions ch and cl relate to cam. Use formula to calculate ch (required cam off-

set), and refer to cam selection chart;  
 $ch = h - lh$  where;  
 ch = required cam off-set/height.  
 h = grip length (distance between inside of latch face and front of cam).  
 lh = body length of cam latch/lock to be used (see product table below).  
 Suitable for panel thickness 1-6mm.

Order No.	Material	a	b	lh
A1205.AW0018	Zinc Body, PA Handle	27	18	18
A1205.AW0028	Zinc Body, PA Handle	27	28	18
A1205.AW0036	Zinc Body, PA Handle	27	36	18
A1205.AW0062	Zinc Body, PA Handle	27	62	18
A1205.AW1018	PA Body & Handle	27	18	18
A1205.AW1028	PA Body & Handle	27	28	18