

E2050

CATCHES & LATCHES

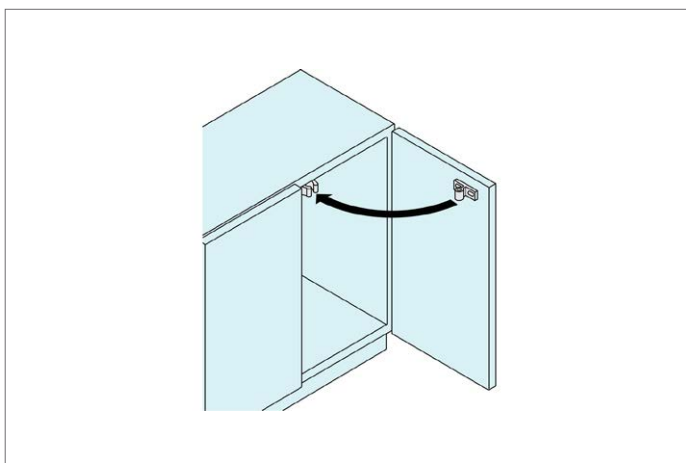
Material

Catch: polyacetal, white.
Strike: polyamide, white.

Technical Notes

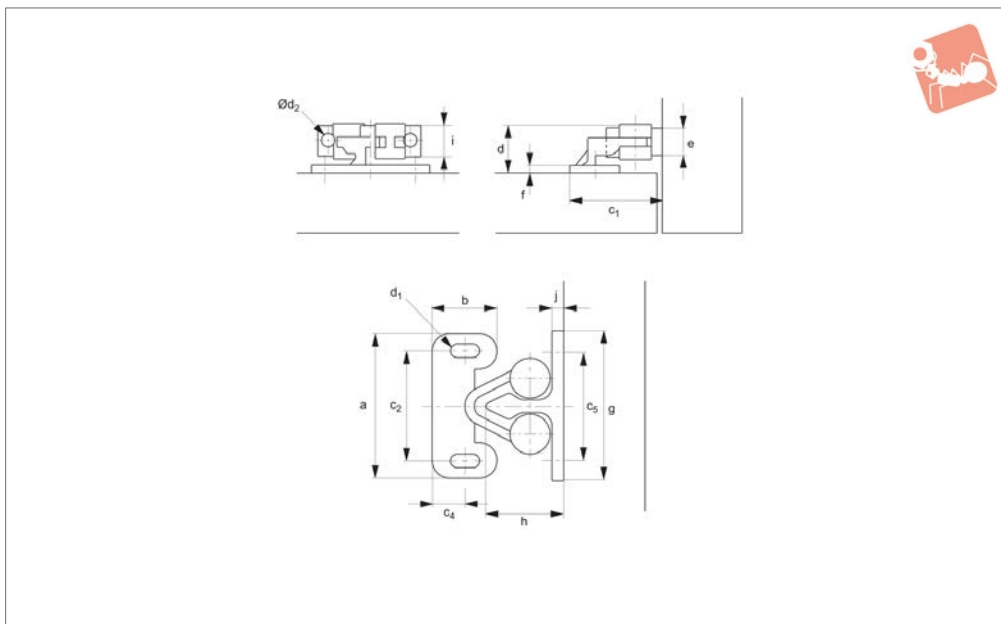
Screws not supplied.

Order No.	Push in force kg	Pull out force kg	Weight g
E2050.AC0010	5.7	7.1	4.5





E2070



Material

Strike and catch: polyacetal.
Roller: polyethylene.

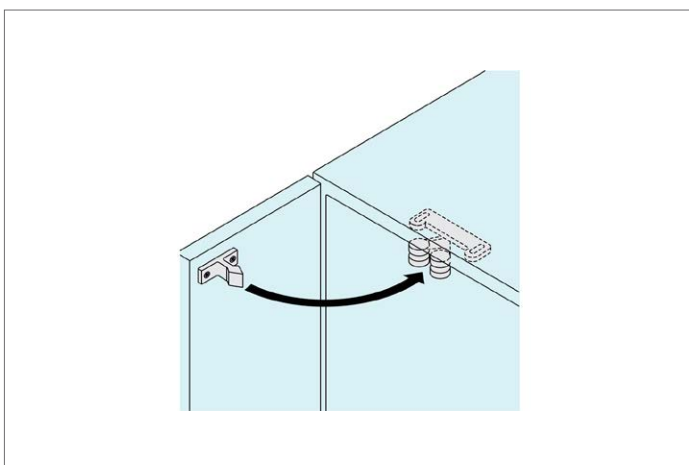
Technical Notes

This catch has been tested to 300,000 cycles.

Screws not supplied.

Order No.	Finish	a	Push in force kg	Pull out force kg	b	c ₁	c ₂	c ₃	c ₄	Weight g
E2070.AC0010	White	29.0	1.1	1.6	12	21.2	21.5	6.0	20.0	3
E2070.AC0015	Brown	31.3	2.2	3.2	14	27.2	24.4	7.5	23.6	4

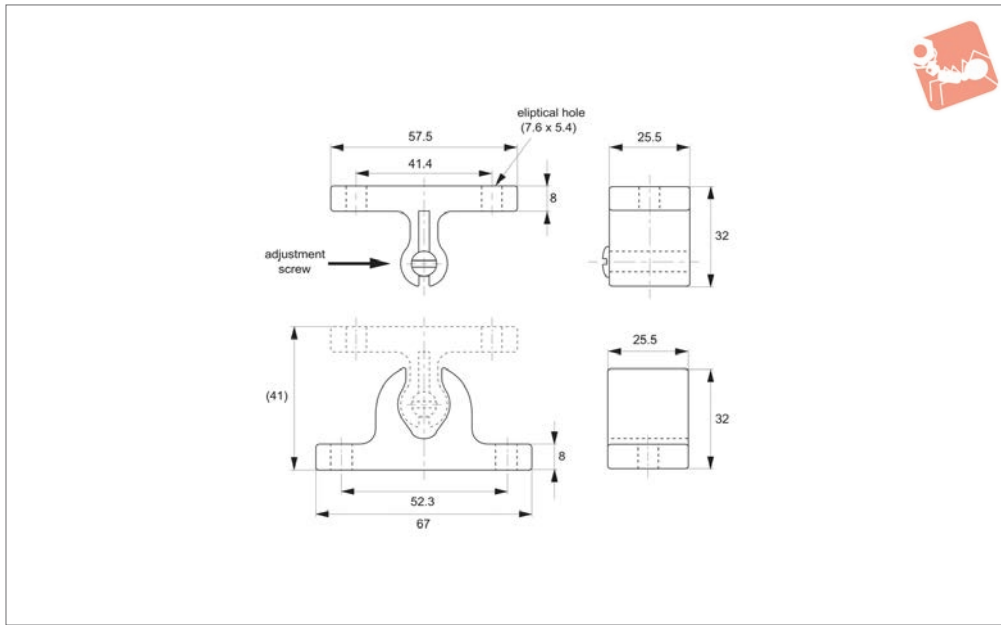
Order No.	d	d ₁	d ₂	e	f	g	h	i	j
E2070.AC0010	11.3	3,1x7	3.0	8	2.0	26	13.5	7.5	1.7
E2070.AC0015	12.6	3,1x7	3.1	9	2.3	32	16.5	9.0	2.0





Knuckle Catches with adjustable holding force

Catches & Latches



E2100

CATCHES & LATCHES

Material
Nylon.

to hold the catch can be varied. Holding force of up to 20Kg.

Technical Notes

By adjusting the screw the force required

Order No.	Finish	Push in force kg min.	Push in force kg kg max.	Pull out force kg min.	Pull out force kg kg max.	Weight g
E2100.AC0010	White	13	27	8	20	42
E2100.AC0020	Black	13	27	8	20	42